



EYE TO EYE SECURITY

VERSATILE

MOVING

SURVEILLANCE

***YOUR GOAL IS
OUR MISSION***

DATA SHEETS



Table of Contents

Page 1.....IPC2241-FN/FNW-SIR 2.0MP Starlight & Ultra WDR HD Mini IR Semi Dome

Page 2.....IPC2241-FN/FNW-PIR 2.0MP Starlight & Ultra WDR HD Mini IR Semi Dome

Page 3.....ETE-MC1205HP, Wide view front road CCD camera

Page 3.....ETE-MC810HP, 1080P AHD Mini vehicle wide view camera

Page 4.....ETE-MC512, 1080P AHD Mobile Side View Camera

Page 4.....ETE-MC710HP, 1080P AHD Mini IR Dome Camera

Page 5.....IPC522-F230, 2.0MP 30x Vehicle PTZ Camera

Page 6.....IPC521-H120-N, 2.0MP 20x Vehicle PTZ Camera

Page 7.....IPC521-F233-N, 2.0MP 33x Vehicle PTZ Camera

Page 8.....KDM2410M-V21, Vehicle NVR / WiFi, 4G, GPS

Page 9.....SVR2420 Series, PoE Mobile NVR

Page 10.....ETE-MDVR8102, 4G In-vehicle Mini Mobile NVR

Page 11.....ETE-MDVR8208HP, 8 Channel Mobile Hybrid NVR

Page 12.....ETE Mobile UPS

Page 13.....ETE-RT-Q88 Ruggedized In-vehicle Android Touch Screen Tablet

Page 14.....ETE-RT-i22k Ruggedized In-vehicle 12inch Touch Screen Tablet

Page 16.....ETE-RT-i16HH Ruggedized In-vehicle Touch Screen Tablet

Page 17.....ETE-RT-i86HH Ruggedized In-vehicle Touch Screen Tablet

Page 18.....ETE-RT-i16k Ruggedized In-vehicle Touch Screen Tablet

Page 19.....ETE-RT-X11 Ruggedized In-vehicle 2 in 1 Windows Touch Screen Tablet

Page 20.....CEC Camera Viewer, Central EYE Control In-vehicle Camera Viewer

Page 20.....CEC 3rd Party Plugin, Central EYE Control VMS Plugin



Scan or Click to download Versatile Moving Surveillance Presentation

IPC2241-FN/FNW-SIR

2.0MP Starlight & Ultra WDR HD Mini IR Semi Dome



Features

Excellent Image Quality

2.0 Megapixel, 1/2.8" progressive scan CMOS sensor
High definition and smooth picture, 1080p@30fps
H.265 video codec, saves up to 50% bandwidth
Ultra-low illumination, 0.002lux with color picture
120dB Ultra WDR
3D noise reduction / Auto Iris / HLC

Recognitive Functions

Driver behavior detection of fatigue driving, yawning, smoking, inattention, calling and absence

Intelligent Functions

Motion detection / Tampering / Guard line / Defocus / Scene change / Enter guard area / Exit guard area / Object left / Object removal / Gathering / Audio surge

Integrated High Efficiency IR

Industrial IR LED with long operational lifespan
15m IR distance
Smart IR function

A variety of Installation Modes

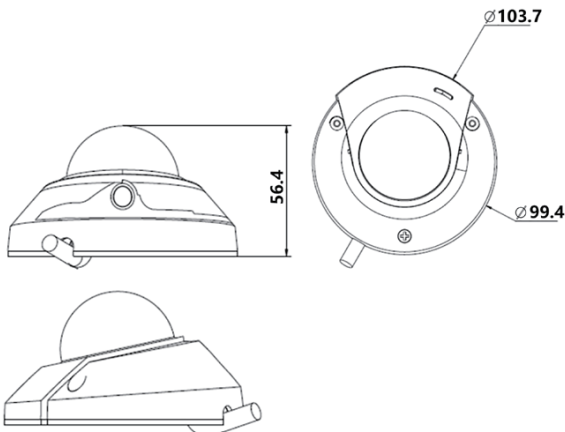
Supports 90°, 180°, 270° image rotation

Abundant Functions and Features

Micro SD card slot, supports Automatic Network Replenishment (ANR)
Bi-directional audio / Built-in Mic / Alarm in and out / Video out / RS485
Wi-Fi supported (-FNW only)
3G / 4G supported (-GiCWG only)
Dual-stream (1080p + D1)
Anti-fog glass
EN50155
PoE
IP67, IK10+ Protection

Dimensions

Unit: mm



Specifications

	IPC2241-FN-SIR	IPC2241-FNW-SIR
Camera		
Image Sensor	1/2.8" progressive scan CMOS	
Pixels	2.0 Megapixel	
Min. Illumination	Color: 0.002lux (F2.0, AGC ON) B/W: 0.0002lux (F2.0, AGC ON); 0lux with IR	
Shutter Speed	1 ~ 1/30,000s	
Day / Night	Auto (ICR) / Color / B/W	
Wide Dynamic Range	Ultra WDR, >=120dB	
S/N Ratio	>58dB	
White Balance	Auto / Manual	
Gain Control	Auto / Manual	
Backlight	Off / WDR / BLC / HLC	
Lens		
Mount Type	M12	
Focal Length	2.8mm (-L0280) / 3.6mm (-L0360) / 6mm (-L0600) / 8mm (-L0800)	
Angle of View	101.2° (-L0280) / 78.6° (-L0360) / 53.2° (-L0600) / 36.8° (-L0800)	
Adjustment Range	Pan: -45° ~ 45° / Tilt: 0° ~ 90° / Rotation: 0° ~ 360°	
Infrared		
IR Distance	15m	
IR Intensity	SmartIR	
Video		
Compression	H.265 / H.264 / MJPEG	
Image Resolution	Main stream: 1080p Secondary stream: D1	
Frame Rate	Main stream: 1080p@30fps Secondary stream: D1@30fps	
Bitrate	32kbps ~ 8Mbps	
Bitrate Control	VBR / CBR	
Dual-stream	Supported	
Caption	Date and time / Alarm / Customized	
Privacy Masking	Up to 4 zones	
Motion Detection	Up to 4 zones	
ROI	Supported	
Digital Noise Reduction	3D noise reduction	
Digital Defog	Supported	
Image Flip	Flip / Mirror / Rotation 90°, 180°, 270°	
Audio		
Compression	G.711a / G.711u / ADPCM / G.722 / AAC-LC	
Bitrate	32kbps ~ 64kbps	
Audio Function	Bi-directional audio / AEC / Mixed audio recording / Dumb / Mute	
Network		
Network Protocols	TCP/IP, UDP, HTTP, DHCP, DNS/DDNS, RTP/RTCP, RTSP, PPPoE, FTP, VSIP, UPnP, 802.1x, NAT, QoS, SMTP, IPv4, IPv6 (optional)	
User Interface	IPC Control (IE, Firefox, Chrome)	
Max. User Access	Max. 10 Users (includes 2 internal)	
3G/4G	-GiCWG model only	
Wireless		Wi-Fi
Wi-Fi		802.11b/g/n 2.4G, Wi-Fi AP
Application Programming	ONVIF (Profile S, Profile G), GB/T 28181 2011, API, CGI	
Automatic Network Replenishment (ANR)	Supported	
Recognitive Functions		
Driver behavior detection	Fatigue driving, yawning, smoking, inattention, calling and absence (Optional, -GiCWG model only)	
Alarm		
Alarm Triggers	Alarm input / Network disconnect / Disk full / Disk error	
Smart Alarm Events	Alarm report / Recording / Text overlay / Snapshot / External output / Email notice / Acoustic alarm	
Intelligent	Motion detection / Tampering / Guard line / Defocus / Scene change / Enter guard area / Exit guard area / Object left / Object removal / Gathering / Audio Surge /	
Interface		
Ethernet	RJ45, 10/100M interface auto adaptive	
WiFi		Built-in Wi-Fi module
Audio In / Out	1 x Line in, 1 x Line out / 1 x Built in Mic	
Control	1 x RS485	
Alarm In / Out	2 x Input / 1 x Output	
Analogue	1 x BNC, 1.0V [p-p] / 75Ω	
Memory Slot	Micro SD card slot, supports up to 256GB	
Environmental		
Operating Temperature	-40°C ~ 70°C / -40°F ~ 158°F	
Operating Humidity	10% ~ 95%	
Protection Level	IK10+, IP67, EN50155	
Electrical		
Power	12V DC ± 25% / PoE (IEEE802.3af)	
Power Consumption	Max. 8W	
Mechanical		
Weight	0.5 kg / 1.1lb (Gross Weight)	
Dimensions	Φ103.7 × 56.4mm / Φ4.08" × 2.22"	

IPC2241-FN/FNW-PIR

2.0MP Starlight & Ultra WDR HD Mini IR Semi Dome



Features

Excellent Image Quality

2.0 Megapixel, 1/2.8" progressive scan CMOS sensor
High definition and smooth picture, 1080p@30fps
H.265 video codec, saves up to 50% bandwidth
Low illumination, 0.002lux with color picture
120dB Ultra WDR
3D noise reduction / Auto Iris / HLC

Intelligent Functions

Motion detection / Tampering / Guard line / Enter guard area / Exit guard area

Integrated High Efficiency IR

Industrial IR LED with long operational lifespan
15m IR distance
Smart IR function

A variety of Installation Modes

Supports 90°, 180°, 270° image rotation

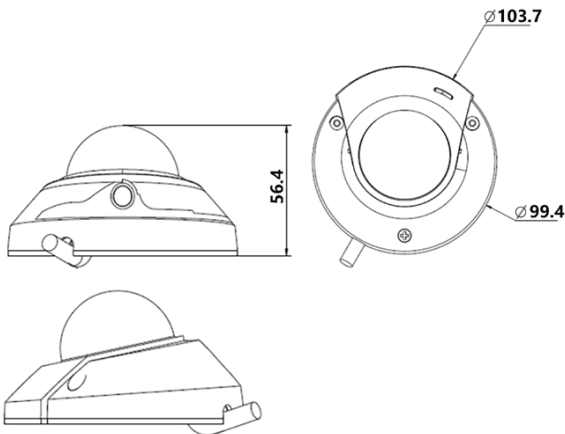
Abundant Functions and Features

Micro SD card slot, supports Automatic Network Replenishment (ANR)
Bi-directional audio / Built-in Mic
Wi-Fi supported (-FNW only)
Dual-stream (1080p + D1)
Anti-fog glass
EN50155
PoE
IP67, IK10+ Protection

Specifications

	IPC2241-FN-PIR	IPC2241-FNW-PIR
Camera		
Image Sensor	1/2.8" progressive scan CMOS	
Pixels	2.0 Megapixel	
Min. Illumination	Color: 0.002lux (F2.0, AGC ON) B/W: 0.0002lux (F2.0, AGC ON)	
Shutter Speed	1 ~ 1/30,000s	
Day / Night	Auto (ICR) / Color / B/W	
Wide Dynamic Range	Ultra WDR, >=120dB	
S/N Ratio	>58dB	
White Balance	Auto / Manual	
Gain Control	Auto / Manual	
Backlight	Off / WDR / BLC / HLC	
Lens		
Mount Type	M12	
Focal Length	2.8mm (-L0280) / 3.6mm (-L0360) / 6mm (-L0600) / 8mm (-L0800)	
Angle of View	101.2° (-L0280) / 78.6° (-L0360) / 53.2° (-L0600) / 36.8° (-L0800)	
Adjustment Range	Pan: -45° ~ 45° / Tilt: 0° ~ 90° / Rotation: 0° ~ 360°	
Infrared		
IR Distance	15m	
IR Intensity	SmartIR	
Video		
Compression	H.265 / H.264 / MJPEG	
Image Resolution	Main stream: 1080p Secondary stream: D1	
Frame Rate	Main stream: 1080p@30fps Secondary stream: D1@30fps	
Bitrate	32kbps ~ 8Mbps	
Bitrate Control	VBR / CBR	
Dual-stream	Supported	
OSD	Date and time / Alarm / Customized	
Privacy Masking	Up to 4 zones	
Motion Detection	Up to 4 zones	
ROI	Supported	
Digital Noise Reduction	3D noise reduction	
Digital Defog	Supported	
Image Flip	Flip / Mirror / Rotation 90°, 180°, 270°	
Audio		
Bitrate	32kbps ~ 64kbps	
Audio Function	Bi-directional audio / AEC / Mixed audio recording / Dumb / Mute	
Network		
Network Protocols	TCP/IP, UDP, HTTP, DHCP, DNS/DDNS, RTP/RTCP, RTSP, PPPoE, FTP, VSIP, UPnP, 802.1x, NAT, QoS, SMTP, IPv4, IPv6 (optional)	
User Interface	IPC Control (IE, Firefox, Chrome)	
Max. User Access	Max. 10 Users (includes 2 internal)	
Wireless		Wi-Fi
Wi-Fi		802.11b/g/n 2.4G, Wi-Fi AP
Application Programming	ONVIF (Profile S, Profile G), GB/T 28181 2011, API, CGI	
Automatic Network Replenishment (ANR)	Supported	
Alarm		
Alarm Triggers	Network disconnect / Disk full / Disk error	
Smart Alarm Events	Alarm report / Recording / Text overlay / Snapshot / Email notice	
Intelligent	Motion detection / Tampering / Guard line / Enter guard area / Exit guard area	
Interface		
Ethernet	RJ45, 10/100M interface auto adaptive	
WiFi		Built-in Wi-Fi module
Audio In / Out	1 x Built in Mic	
Memory Slot	Micro SD card slot, supports up to 256GB	
Environmental		
Operating Temperature	-40°C ~ 70°C / -40°F ~ 158°F	
Operating Humidity	10% ~ 95%	
Protection Level	IK10+, IP67, EN50155	
Electrical		
Power	12V DC ± 25% / PoE (IEEE802.3af)	
Power Consumption	Max. 8W	
Mechanical		
Weight	0.5 kg / 1.1lb (Gross Weight)	
Dimensions	Φ103.7 × 56.4mm / Φ4.08" × 2.22"	

Dimensions Unit: mm



ETE-MC1205HP

Wide view front road CCD camera



Features

Abundant Features and Functions

- 120-degree Vehicle front road wide view camera
- 1080P high resolution AHD, star light
- Built-in Audio
- 2.6mm lens
- All kinds of vehicles can be suitable. Such as, taxi, truck and bus
- Vertical 360 degree rotate



Specifications

ETE-MC1205HP	
Image	
Sensor	1080P AHD
Horizontal Resolution	1980*1080
Horizontal angle	120 degree(wide view)
Lux	0.001lux/F1.2
Lens size	2.6mm
IR	
IR distance	5m
Electrical	
Operational Voltage	DC12V
Environmental	
Operational Temperature	- 25°C ~ +75°C
Mechanical	
Dimensions	63mm * 38.8mm * 36mm

ETE-MC810HP

1080P AHD Mini vehicle wide view camera



Features

Intelligent Functions

- Mini vehicle wide view camera
- Special design for Taxi inside use
- Horizontal view angle:130 degree, can synchronous take driver and passenger's video recording
- Excellent night-vision, clear image, little noise
- When IR light is ON, it won't have infrared visible line, so that won't distract driver's sight, so it can be safe driving.
- 1080P AHD, 2.1mm lens (130 degree)

Specifications

Parameters	ETE-MC810HP
Image Sensor	1080P AHD
Synchronization	INT
Scanning	2:1 Interlace
Horizontal Resolution	1920*1080
Horizontal angle	130 degree (wide view)
IR LED	10pcsΦ8 IR 940nm LED
IR Distance	5m
Minimum Illumination	0Lux (IR ON)
Gamma modification	0.45
Gain control	Auto
White Balance	Auto
Electronic shutter	1/60(1/50) ~ 1/100,000 sec
Video output	1.0Vp-p Composite Video Output,75ohm
Lens	2.1mm
S/N Ratio	More than 48dB
Operational Voltage	DC12V
Operational Temperature	(- 25°C~+85°C)
Application use	Vehicle include taxi, bus, car inside use.
Body size	126x30x100mm

ETE-MC512

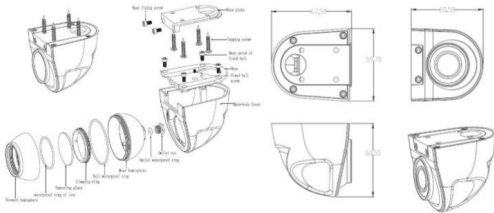
1080P AHD Mobile Side View Camera



Features

Abundant Features and Functions

- Side Viewing Vehicle HD Camera
- 1080P high resolution AHD, 12pcs IR Led
- IP67 Water-proof & Vandal-proof housing
- 2.1mm lens
- All kinds of vehicles can be suitable. Such as, taxi, truck and bus
- 1/3" SONY Color SuperHAD II Low Lux CCD



Specifications

ETE-MC512	
Image	
Sensor	1080P AHD
Signal System	NTSC/PAL
Horizontal Resolution	1920x1080
S/N Ratio	More than 52dB
Lens size	2.1mm (2.5mm, 2.8mm, 3.6mm as optional)
IR	
IR distance	8~12m
IR LED	12pcs IR 850nm LED
Electrical	
Operational Voltage	DC12V
Current Consumption	180mA
Environmental	
Operational Temperature	-10°C ~ +50°C
IP Rating	IP67
Mechanical	
Dimensions	60.5mm * 60mm * 67.5mm
Pan Adjust	0~360 degree
Tilt Adjust	0~40 degree
Weight	203g

ETE-MC710HP

1080P AHD Mini IR Dome Camera



Features

Intelligent Functions

- 1080P high resolution Mini IR dome camera
- 10pcs IR LED with good night vision
- 2.6mm lens (3.6mm, 2.8mm lens optional)
- IR dome camera for vehicle
- 120° wide angle view
- Waterproof & Vandal proof camera
- Metal casing

Specifications

ETE-MC710HP	
Parameters	
Image Sensor	1080P AHD Mini IR dome camera
Synchronization	INT/PAL
Scanning	2:1 Interlace
Horizontal Resolution	1080P/960P/720P optional
Horizontal angle	120 degree (wide view)
IR LED	10pcs IR LED
IR Distance	3m
Minimum Illumination	0Lux (IR ON)
Gamma modification	0.45
Gain control	Auto
White Balance	Auto
Electronic shutter	1/60(1/50) ~ 1/100,000 sec
Video output	1.0Vp-p Composite Video Output, 75ohm
Lens	2.6mm (3.6mm, 2.8mm lens, optional)
S/N Ratio	More than 48dB
Audio	Yes
Operational Voltage	DC12V
Operational Temperature	-25°C ~ +85°C
Weight	0.27Kg
Body size	10 x 9.5 x 6cm

IPC522-F230/G230-G

2.0MP 30x Vehicle PTZ Camera



Specifications

	IPC522-F230-W	IPC522-F230-G
Camera		
Image Sensor	1/2.8" progressive scan CMOS	
Pixels	2.0 Megapixel	
Min. Illumination	Color: 0.003lux @ (F1.5, AGC ON) B/W: 0.0003lux @ (F1.5, AGC ON); 0lux with IR	
Shutter Speed	1 ~ 1/30,000s	
Day / Night	Auto (ICR) / Color / B/W	
Wide Dynamic Range	Digital WDR	
S/N Ratio	57dB	
White Balance	Auto / Manual	
Gain Control	Auto / Manual	
Backlight Compensation	Off / WDR / BLC / HLC	
Lens		
Focal Length	4.5 ~ 135mm, 30x optical	
Zoom Speed	Approx. 3s (Optical)	
Angle of View	67.8°~ 2.77° (Wide~Tele)	
Minimum Object	1000 ~ 1500mm (Wide~Tele)	
Max. Aperture Ratio	F1.6 (Wide) / F4.4 (Tele)	
Focus Control	Auto / Manual / Semi-Automatic	
Infrared		
IR LED	4 pcs IR LED Array	
IR Distance	40 ~ 80m	
IR Intensity	Automatically adjust according to zoom ratio	
Pan and Tilt		
Pan / Tilt Range	360° Endless / -15° ~ 90° (Auto Flip)	
Pan / Tilt Speed	Pan manual speed: 0.1° ~ 30°/s; Pan preset speed: 50°/s Tilt manual speed: 0.1° ~ 30°/s; Tilt preset speed: 50°/s	
Proportional Zoom	Pan / Tilt speed can be adjusted automatically according to zoom	
Preset	256	
Patrol	8 Patrols scheme, up to 32 presets per patrol	
Pattern Scan	4 Scan paths, each path can record 10 minutes of operation path	
Power-off Memory	Power-off memory / Power-on recovery	
Auto Guard	Path / Preset / Mixed / Pan scan / Tilt scan	
PT Limit	Manual / Scan / Pan	
3D Positioning	PTZ control with mouse click and drag	
Video		
Compression	H.265 / H.264	
Image Resolution	Main stream: 1080p Secondary stream: 720p	
Frame Rate	Main stream: 1080p@30fps Secondary stream: 720p@30fps	
Bitrate	64kbps ~ 16Mbps	
Bitrate Control	VBR / CBR	
Multi-stream	Supported	
Caption	Date and time / Alarm / Direction / Customized	
Privacy Masking	Up to 4 zones	
Motion Detection	Up to 4 zones	
Video Freeze	Supported	
ROI	Supported	
Digital Noise Reduction	3D noise reduction	
Digital Defog	Supported	
Image Flip	Flip / Mirror	
Network		
Network Protocols Supported	TCP/IP, UDP, HTTP, DHCP, DNS/DDNS, RTP/RTCP, RTSP, PPPoE, FTP, VSIP, UPnP, 802.1x, NAT, QoS, SMTP, IPv4, IPv6 (optional)	
User Interface	IPC Control (IE, Firefox, Chrome)	
Max. User Access	Max. 20 users (includes 2 internal)	
Wireless	Wi-Fi	
3G/4G Frequency Band	N/A	3G / 4G / Wi-Fi / Bluetooth FDD-LTE: B1 / B3 / B5 / B8 TDD-LTE: B38 / B39 / B40 / B41 WCDMA: B1 / B8 GSM / GPRS / EDGE: 900 / 1800MHz TD-SCDMA: B34 / B39 EVDO/CDMA: BC0 Customizable network spectrum
Wi-Fi	802.11ac/b/g/n 2.4G / 5G, Wi-Fi AP	Wi-Fi station mode only
Bluetooth	N/A	BT4.1
Location Technology	GPS, GLONASS (optional)	
Application Programming	ONVIF (Profile S, Profile G), API, CGI	
Alarm		
Alarm Triggers	Network disconnect	
Alarm Events	Alarm report / Text overlay / Email notice	
Recognitive Functions		
Target Detection	Face, up to 5 targets simultaneously (-G230-G model)	
Captured Picture	Face, Full view Built-in picture comparison algorithm, best picture selection (-G230-G model)	
Interfaces		
Aviation Port	4-Pin 10/100M interface, 2-Pin Charge interface	
WIFI	Built-in WIFI module	
GPS	N/A	Built-in GPS module
3G/4G	N/A	Built-in 3G / 4G module
Bluetooth	N/A	Built-in Bluetooth module
Memory Slot	Built-in 128G Micro SD card	
Environmental		
Operating Temperature	Power supplied by built-in battery: -20°C ~ 60°C / -4°F ~ 140°F Power supplied by DC: -40°C ~ 70°C / -40°F ~ 158°F	
Operating Humidity	10% ~ 95%	
Protection Level	IP66, TVS 6000V lightning protection, surge protection and voltage transient protection	
Electrical		
	Built-in 13600mAh normal temperature rechargeable lithium battery Up to 8 hours continuous working with battery in 4G Up to 10 hours continuous working with battery in Wi-Fi 12V DC ± 10%	
Power Consumption	Max. 20W (IR on)	
Mechanical		
Magnet	Built-in super magnet	
Weight	4kg / 8.82lb (Gross Weight)	
Dimensions	Φ215 × 153mm / Φ8.47" × 6.03"	
Color	White, Customizable Black	
Accessories		
Optional	Three-proof Suitcase	
* All battery claims depend on network configuration and many other factors, actual results will vary.		

Features

Excellent Image Quality

2.0 Megapixel 1/2.8" Progressive scan CMOS Sensor
High definition and smooth picture, 1080p@30fps
H.265 video codec, saves up to 50% bandwidth and storage
Ultra-low illumination, 0.003lux with color picture
IR automatically adjusts
3D noise reduction / HLC / BLC

Recognitive Functions

Up to 5 targets simultaneously
Target capturing and characters recognizing
Built-in picture comparison algorithm, best picture selection

Long Operation Lifespan

Industrial components, withstands operational temperatures between -40°C ~ 70°C
IP66, TVS 6000V lightning protection, surge protection and voltage transient protection

Large Scale

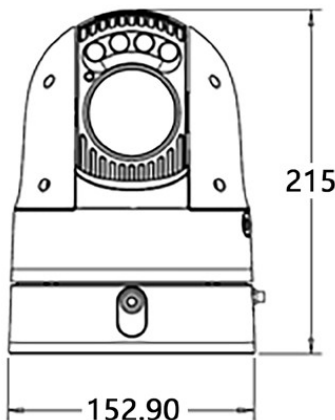
30x optical zoom
IR distance up to 80m

Abundant Functions and Features

Built-in Micro SD card, supports Automatic Network Replenishment (ANR)
Built-in super magnet
3G / 4G / Wi-Fi / Bluetooth supported
Up to 8 hours continuous working with battery in 4G (IPC522-F230-G only)
Up to 10 hours continuous working with battery in Wi-Fi
Vehicle based PT structure

Dimensions

Units: mm



IPC521-H120-N

2.0MP 20x Vehicle PTZ Camera



Features

Excellent Image Quality

2.0 Megapixel 1/2.8" progressive scan CMOS Sensor
 High definition and smooth picture, 1080p@60fps
 H.265 video codec, saves up to 50% bandwidth and storage
 Ultra low illumination, 0.003lux with color picture
 IR automatically adjusts
 120dB Ultra WDR
 3D noise reduction / HLC / BLC

Long Operation Lifespan

Industrial components, withstands operational temperatures between -40°C ~70°C
 IP66, TVS 6000V lightning protection, surge protection and voltage transient protection

Large Scale

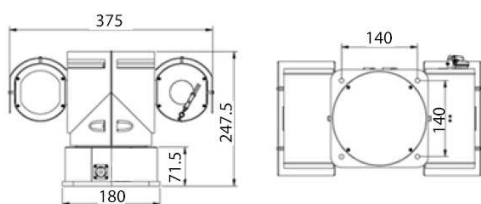
20x optical zoom
 IR distance up to 200m

Abundant Functions and Features

Wiper support
 Vehicle based PT structure

Dimensions

Units: mm



Specification

IPC521-H120-N	
Camera	
Image Sensor	1/2.8" progressive scan CMOS
Pixels	2.0 Megapixel
Min. Illumination	Color: 0.003lux @ (F1.6, AGC ON) B/W: 0.0003lux @ (F1.6, AGC ON); 0lux with IR
Shutter Speed	1 ~ 1/30,000s
Day / Night	Auto (ICR) / Color / B/W
Wide Dynamic Range	Ultra WDR, 120dB
S/N Ratio	>55dB
White Balance	Auto / Manual
Gain Control	Auto / Manual
Backlight Compensation	Off / WDR / BLC / HLC
Lens	
Focal Length	4.7 ~ 94mm, 20x optical
Zoom Speed	Approx. 3s (Optical)
Angle of View	54.1°~ 2.9° (Wide~Tele)
Minimum Object Distance	300 ~ 1500mm (Wide~Tele)
Max. Aperture Ratio	F1.6 (Wide) / F3.5 (Tele)
Focus Control	Auto / Manual / Semi-Automatic
Infrared	
IR LED	8 pcs IR LED Array
IR Distance	150 ~ 200m
IR Intensity	Automatically adjust according to zoom ratio
Pan and Tilt	
Pan / Tilt Range	360° Endless / -85° ~ 85° (Auto Flip)
Pan / Tilt Speed	Pan manual speed: 0.1° ~ 80°/s; Pan preset speed: 120°/s Tilt manual speed: 0.1° ~ 60°/s; Tilt preset speed: 100°/s
Proportional Zoom	Pan / Tilt speed can be adjusted automatically according to zoom multiples
Preset	256
Patrol	8 Patrols scheme, up to 32 presets per patrol
Pattern Scan	4 Scan paths, each path can record 10 minutes of operation path
Power-off Memory	Power-off memory / Power-on recovery
Auto Guard	Path / Preset / Mixed / Pan scan / Tilt scan / Frame scan / Random scan / Panorama scan
PT Limit	Manual / Scan / Pan
3D Positioning	PTZ control with mouse click and drag
Wiper	Supported
Video	
Compression	H.265 / H.264 / MJPEG
Image Resolution	Main stream: 1080p Secondary stream: D1
Frame Rate	Main stream: 1080p@60fps Secondary stream: D1@30fps
Bitrate	32kbps ~ 16Mbps
Bitrate Control	VBR / CBR
Multi-stream	Supported
Caption	Date and time / Alarm / Direction / Customized
Privacy Masking	Up to 4 zones
Motion Detection	Up to 4 zones
Video Freeze	Supported
ROI	Supported
Digital Noise Reduction	3D noise reduction
Digital Defog	Supported
Image Flip	Flip / Mirror
Network	
Network Protocols	TCP/IP, UDP, HTTP, DHCP, DNS/DDNS, RTP/RTCP, RTSP, PPPoE, FTP, VSIP, UPnP, 802.1x, NAT, QoS, SMTP, IPv4, IPv6 (optional)
User Interface	IPC Control (IE, Firefox, Chrome)
Max. User Access	Max. 10 users (include 2 internal)
Application Programming	ONVIF (Profile S, Profile G), GB/T 28181-2011, API, CGI
Alarm	
Alarm Triggers	Network disconnect
Alarm Events	Alarm report / Text overlay / Email notice
Interfaces	
Ethernet	10/100M, RJ45 interface
Environmental	
Operating Temperature	-40°C ~ 70°C / -40°F ~ 158°F
Operating Humidity	10% ~ 95%
Protection Level	IP66, TVS 6000V lightning protection, surge protection and voltage transient protection
Electrical	
Power	9 ~ 36V DC, wide range voltage input
Power Consumption	Max. 60W (IR on)
Mechanical	
Weight	7kg / 15.44lb (Gross Weight)
Dimensions	180mm × 375mm × 247.5mm / 7.09" × 14.77" × 9.75"

IPC521-F233-N

2.0MP 33x Vehicle PTZ Camera



Features

Excellent Image Quality

2.0 Megapixel 1/3" progressive scan CMOS Sensor
 High definition and smooth picture, 1080p@30fps
 H.265 video codec, saves up to 50% bandwidth and storage
 Ultra-low illumination, 0.003lux with color picture
 IR automatically adjusts
 120dB Ultra WDR
 3D noise reduction / HLC / BLC

Long Operation Lifespan

Industrial components, withstands operational temperatures between
 -40°C ~70°C
 IP66, TVS 6000V lightning protection, surge protection and voltage
 transient protection

Large Scale

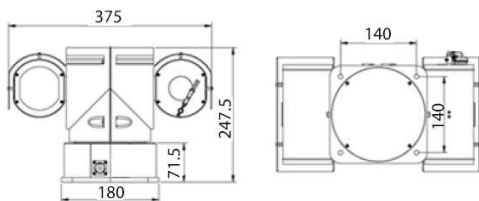
33x optical zoom
 IR distance up to 200m

Abundant Functions and Features

Wiper support
 Vehicle based PT structure

Dimensions

Units: mm



Specifications

IPC521-F233-N	
Camera	
Image Sensor	1/3" progressive scan CMOS
Pixels	2.0 Megapixel
Min. Illumination	Color: 0.003lux @ (F1.6, AGC ON) B/W: 0.0003lux @ (F1.6, AGC ON); 0lux with IR
Shutter Speed	1 ~ 1/30,000s
Day / Night	Auto (ICR) / Color / B/W
Wide Dynamic Range	Ultra WDR, 120dB
S/N Ratio	>55dB
White Balance	Auto / Manual
Gain Control	Auto / Manual
Backlight Compensation	Off / WDR / BLC / HLC
Lens	
Focal Length	4.5 ~ 148.5mm, 33x optical
Zoom Speed	Approx. 3s (Optical)
Angle of View	67.8°~ 2.34° (Wide~Tele)
Minimum Object Distance	300 ~ 1500mm (Wide~Tele)
Max. Aperture Ratio	F1.6 (Wide) / F4.4 (Tele)
Focus Control	Auto / Manual / Semi-Automatic
Infrared	
IR LED	8 pcs IR LED Array
IR Distance	150 ~ 200m
IR Intensity	Automatically adjust according to zoom ratio
Pan and Tilt	
Pan / Tilt Range	360° Endless / -85° ~ 85° (Auto Flip)
Pan / Tilt Speed	Pan manual speed: 0.1° ~ 80°/s; Pan preset speed: 120°/s Tilt manual speed: 0.1° ~ 60°/s; Tilt preset speed: 100°/s
Proportional Zoom	Pan / Tilt speed can be adjusted automatically according to zoom multiples
Preset	256
Patrol	8 Patrols scheme, up to 32 presets per patrol
Pattern Scan	4 Scan paths, each path can record 10 minutes of operation path
Power-off Memory	Power-off memory / Power-on recovery
Auto Guard	Path / Preset / Mixed / Pan scan / Tilt scan / Frame scan / Random scan / Panorama scan
PT Limit	Manual / Scan / Pan
3D Positioning	PTZ control with mouse click and drag
Wiper	Supported
Video	
Compression	H.265 / H.264 / MJPEG
Image Resolution	Main stream: 1080p Secondary stream: D1
Frame Rate	Main stream: 1080p@30fps Secondary stream: D1@30fps
Bitrate	32kbps ~ 16Mbps
Bitrate Control	VBR / CBR
Multi-stream	Supported
Caption	Date and time / Alarm / Direction / Customized
Privacy Masking	Up to 4 zones
Motion Detection	Up to 4 zones
Video Freeze	Supported
ROI	Supported
Digital Noise Reduction	3D noise reduction
Digital Defog	Supported
Image Flip	Flip / Mirror
Network	
Network Protocols	TCP/IP, UDP, HTTP, DHCP, DNS/DDNS, RTP/RTCP, RTSP, PPPoE, FTP, VSIP, UPnP, 802.1x, NAT, QoS, SMTP, IPv4, IPv6 (optional)
User Interface	IPC Control (IE, Firefox, Chrome)
Max. User Access	Max. 10 users (include 2 internal)
Application Programming	ONVIF (Profile S, Profile G), GB/T 28181-2011, API, CGI
Alarm	
Alarm Triggers	Network disconnect
Alarm Events	Alarm report / Text overlay / Email notice
Interfaces	
Ethernet	10/100M, RJ45 interface
Environmental	
Operating Temperature	-40°C ~ 70°C / -40°F ~ 158°F
Operating Humidity	10% ~ 95%
Protection Level	IP66, TVS 6000V lightning protection, surge protection and voltage transient protection
Electrical	
Power	9 ~ 36V DC, wide range voltage input
Power Consumption	Max. 60W (IR on)
Mechanical	
Weight	7kg / 15.44lb (Gross Weight)
Dimensions	180mm × 375mm × 247.5mm / 7.09" × 14.77" × 9.75"

KDM2410M-V21

In-Vehicle Hybrid NVR with WiFi, GPS and optional 4G



Features

Excellent Video Transmission

KWTP protocol for 3G / 4G transmission, improve the video stream continuity under unstable network
H.265 video codec, saves up to 50% bandwidth and storage

High Reliability

Embedded Linux
Low power consumption
Aviation plug design for Ethernet, video, audio, control signal and power supply
Fan-less design with heat dissipation shell
Shock-proofed design, protect the HDD while vehicle is being driven

Easy to Use

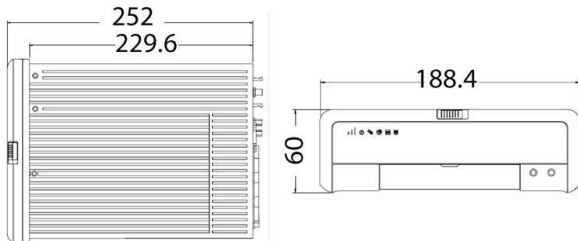
Pluggable HDD drawer, easy to change HDD module
HDD module support USB interface, easy to backup record

Abundant functions and features

4 Channel IP Camera + 4 Channel Analog Camera access
Built-in WIFI AP module, can access WIFI IP camera and PAD
All mobile networks supported
Built-in GPS module
Dual SIM card bundle supported

Dimensions

Units: mm



Specifications

KDM2410M-V21	
Camera Input	
IP Camera	4 Channel
Analog Camera	4 Channel
Video	
Compression	H.265 / H.264
Resolution	4MP, 1080p, 720p, D1, CIF, QCIF
Dual-stream	Supported
Video Frame Rate	1 ~ 30fps
Bitrate	64Kbps ~ 4Mbps
Audio	
Compression	G.711a / G.711u / ADPCM / AMR / G.722.1c / AAC-LC
Bit rate	24Kbps ~ 64Kbps
Audio Function	Bi-directional audio / AEC / Mute / Dumb / Remix
Storage	
HDD	1 x 2.5" hard disk (hard disk drawer), Max. 4TB
Memory Slot	SD slot, support up to 128GB
Network	
Network Protocol supported	TCP/IP, ARP, FTP, TELNET, HTTP, RTP/RTCP, SNTP, VSIP, KWTP, IPv4, IPv6 (optional)
Function	NAT / Multiple network access / Packet loss recovery
Wireless	3G (optional) / 4G (optional) / WIFI
3G / 4G Frequency Band	FDD-LTE: B1 / B2 / B3 / B5 / B7 / B8 / B20 TDD-LTE: B38 / B39 / B40 / B41 HSPA / UMTS: 850 / 900 / 1800 / 1900 / 100MHz GSM / GPRS / EDGE: 850 / 900 / 1800 / 1900MHz TD-SCDMA: B34 / B39 EVDO/CDMA: BC0 / BC1
WIFI	802.11b/g/n 2.4G, WIFI AP
Location Technology	GPS, GLONASS (optional), BeiDou (optional)
Interfaces	
Ethernet	1 x RJ45, 10Base-T/100Base-TX
Audio In / Out	1 x Mic in, 1 x Mic out
Aviation Plug	4 x 10 pin: 4 x Video input / 4 x Audio input, 4 x DC12V / 1A Output, 4xRJ45 1 x 4 pin: Power supply for PTZ Camera 1 x 10 pin: Video output 1 x 9 pin: Power input 9 ~ 36V DC
Alarm In / Out	4 x Input / 1 x Output
Control	1 x RS485, 1 x RS232
Antenna	1 x WIFI Antenna interface, 1 x GPS Antenna interface
Extension	3 x Extension module slot (supports 3G / 4G module, GLONASS / BeiDou module)
Environmental	
Operating Temperature	-40°C ~ 70°C / -40°F ~ 158°F
Operating Humidity	10% ~ 85%
Elevation	-60m ~ 5000m
Electrical	
Power	9 ~ 36V DC wide range input 12V DC input
Power Consumption	15W (HDD not included)
Mechanical	
Weight	2.45kg
Dimension	252mm x 188.4mm x 60mm
Accessories	
Standard	1 x WIFI Antenna, 1 x GPS Antenna, 7 x Aviation plug connector cable, 1 x USB cable
Optional	3G / 4G Module, Mounting Box, HDD Box, Android Pad

SVR2420 Series

In-Vehicle IP NVR with WiFi, GPS and optional 4G



Features

Excellent Video Transmission

KWTP protocol for 3G / 4G transmission, improves the video stream continuity under unstable network conditions
H.265 video codec, saves up to 50% bandwidth and storage

High-performance

1 x 4K@30fps video decoding capability
Up to 12 channel and 4K H.265 supported

High reliability

Embedded Linux
Low power consumption
Aviation plug design for Ethernet, video, audio, control signal and power supply
Fan-less design with heat dissipation shell
Shock-proof design protects the HDD while vehicle is being driven

Easy to install and Use

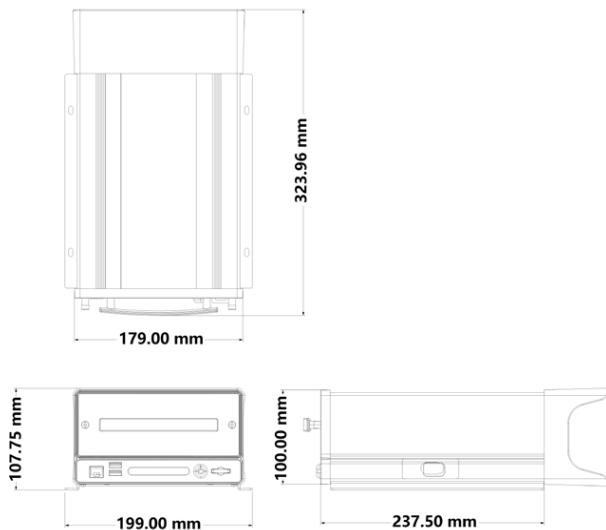
Automatic network organizing
Built-in DHCP server
Pluggable HDD drawer, easy to change HDD module
HDD module supports USB interface, easy to backup record

Abundant functions and features

Up to 12 IP Camera access
Built-in Wi-Fi AP module can access Wi-Fi IP camera
All mobile networks supported
Supports dual SIM card bundle
Built-in GPS module

Dimensions

Units: mm



Specifications

	SVR2420-0204A/4P	SVR2420-0208A/8P	SVR2420-0212A/8P
Video/Audio Input			
Total number of Cameras Input	4 channel	8 channel	12 channel
Resolution	8MP(4K), 1080p, UXGA, 960p, 720p, XGA, SVGA, D1, CIF, QCIF		
Compression	H.264 / H.265		
Protocols	Onvif, RTSP, KEDACOM		
Bitrate	64kbps ~ 16384kbps		
Incoming Bandwidth	20Mbps	40Mbps	60Mbps
Live Viewing			
Local Display	1 x HDMI, 1 x VGA, 2 x CVBS, simultaneously output same content		
Layout	1, 4, 9, 16		
Function	E-PTZ / Scheme / Polling		
Recording			
Resolution	8MP(4K), 1080p, UXGA, 960p, 720p, XGA, SVGA, D1, CIF, QCIF		
Mode	Manual / Continuous / Schedule / Event (Pre / Post)		
Event Trigger	Supported		
Tag	Supported		
Search & Playback			
Search Mode	Date and time (Calendar) / Event		
Resolution	8MP (4K), 1080p, UXGA, 960p, 720p, XGA, SVGA, D1, CIF, QCIF		
Playback (Local Monitor)	1 x 4K@30fps / 4 x 1080p@30fps		
Playback (Client)	Up to 16 x 4K@30fps		
Synchronize Playback (Local)	1 x 4K@30fps / 4 x 1080p@30fps		
Synchronize Playback (Client)	4 x 4K@30fps		
Function	Slow forward / Fast forward / Loop / Single frame / E-PTZ		
Storage			
Max. Internal HDDs	2 x 2.5" HDD		
	Max. 8TB (up to 4TB / each)		
Built-in Storage	1 x 1TB HDD		
Audio			
Compression	G.711a / G.711u / ADPCM / G.722 / G.722.1c / AAC-LC / G.726		
Bit rate	32kbps ~ 64kbps		
Audio Function	Bi-directional audio / Dumb / Mute / Broadcasting		
Alarm			
Service Alarm Triggers	Alarm input / Video lost / Motion detection / Tampering / Guard line / Defocus / Scene change / Enter guard area / Exit guard area / Object left / Object removal / Gathering / Audio surge		
System Alarm Triggers	Device disconnected / No disk / Disk error / IP Address conflict / Network fault / Insufficient recording space / MAC address conflict / Insufficient snapshot space / Unauthorized access		
Alarm Events	Snapshot / Recording / PTZ preset / Buzzer / Email / Link to Client / Alarm caption / Live view in first window / Link to TV Wall / Full screen viewing		
System			
Operating System	Embedded Linux		
User Management	Admin / User		
Log Management	User login / User operation / Alarm / Backup / Update		
Application Programming	CGI		
Network			
Network Protocols	TCP / IP, UDP, HTTP, DHCP, DNS / DDNS, RTP / RTCP, RTSP, PPPoE, FTP, SNMP, VSIP, UPNP, SMTP, IPv4, IPv6 (optional)		
Viewer Software	Web		
Max. User Access	16 Users		
Function	NAT / Socks5 / Multiple network access / Packet loss recovery		
Network Test	Supported		
Wireless	Wi-Fi, 3G / 4G		
Number of Sim Card	Default 1, up to 2		
3G / 4G Frequency Band	FDD-LTE: B1 / B2 / B3 / B5 / B7 / B8 / B20 TDD-LTE: B38 / B39 / B40 / B41 HSPA / UMTS: 850 / 900 / 1800 / 1900 / 2100MHz GSM / GPRS / EDGE: 850 / 900 / 1800 / 1900MHz TD-SCDMA: B34 / B39 EVDO/CDMA: BC0 / BC1 Customizable network spectrum		
Wi-Fi	802.11 b/g/n/a/ac 2.4G / 5G, Wi-Fi AP		
Location Technology	GPS, GLONASS		
Application Programming	Onvif (Profile S, Profile G), API, CGI		
Interfaces			
Ethernet	1 x 10 / 100M, RJ45 interface		
Aviation Plug	1 x 4 pin: 2 x CVBS output 1 x 4 pin: Power supply for PTZ camera 1 x 9 pin: Power input 9 ~ 36V DC	1 x 4 pin: 2 x CVBS output 1 x 4 pin: Power supply for PTZ camera 1 x 9 pin: Power input 9 ~ 36V DC	4 x 10 pin: 4 x PoE input 1 x 4 pin: 2 x CVBS output 1 x 4 pin: Power supply for PTZ camera 1 x 9 pin: Power input 9 ~ 36V DC
Video Out	1 x HDMI (up to 4K@30Hz) 1 x VGA (up to 1920 x 1080@60Hz) 2 x CVBS (PAL 720*576, NTSC 720*480)		
Audio In / Out	1 x Line in / 1 x Mic in / 1 x Line out		
PoE Camera Input	4 channel	8 channel	8 channel
Alarm In / Out	8 x Input / 4 x Output		
Antenna	1 x Wi-Fi Antenna interface, 1 x GNSS Antenna interface, 1 x 4G Antenna interface		
Control	1 x RS485, 1 x RS232		
Environmental			
Operating Temperature	-40°C ~ 70°C / -40°F ~ 158°F		
Operating Humidity	10% ~ 90%		
Electrical			
Power	DC 9 ~ 36V		
Power Consumption	Max. 96W		
Mechanical			
Weight	5.6kg / 12.35lb		
Dimensions	280 x 180 x 98mm / 11.02" x 7.09" x 3.86"		
Accessories			
Antenna	2 x Wi-Fi Antenna, 1 x GNSS Antenna, 1 x 4G Antenna		

ETE-MDVR8102

4G In-vehicle Mini Mobile DVR

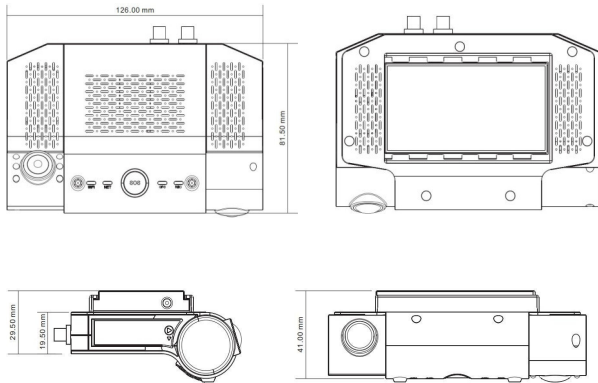


Features

- 1080P 4G, GPS, WIFI Mobile DVR
- H.265 compression, adopts Hisilicon high performance processor
- Built-in 1080P 120-degree wide front road view camera + 1080P 130-degree wide cabin view camera, supports external 2 channels (Optional)
- Built-in speaker to indicate device working status and instructions from server
- Industrial grade design
- Supports connection with mobile phone through WIFI
- Supports remote live view in real time
- Set up MDVR parameters via mobile phone
- Supports 2 TF cards, maximum up to 512GB
- Supports central management software such as CMSV6, Wialon or SDK integration with the third-party software
- Supports iPad, iPhone, Android and PC to remote view in real time

Dimensions

Units: mm



Specifications

	ETE-MDVR8202S	ETE-MDVR8202SP
Video/Audio Input		
Video Input	2 channel 1080P video input	2 channel 1080P video input + 2 external
Built in camera 1	1080P 120-degree front wide view camera	
Built in camera 2	1080P 130-degree cabin wide view camera	
Image compression	H.265 AHD	
Recording	Support FTP back-up, mobile phone local downloading in MP4 format, sharing to third party communication tools	
Optional OSD information	Time, channel name, company name, driver name, plate number, GPS position, speed, G-sensor (XYZ value)	
Recording and Storage		
Storage	Support 2 max 256GB TF cards	
Alarm		
SOS	Press SOS button, upload picture or video to server (optional)	
Crash	Alarm information to the central platform and device will start recording in 10 seconds	
Network		
4G	Built-in 4G (TDD-LTE / FDD-LTE) module optional	
Wi-Fi	Built-in WIFI module and antenna; AP mode in default, phone connects directly with device and can switch to WIFI mode after set well the parameters. Support WIFI downloading	
Location Technology	Built-in GPS module	
Sensors		
G-sensor	Built-in	
Electrical		
Working mode	8-36V, lower consumption	
Standby mode	12V,10mA	
APP		
Channels	2 channel or multi-channel video playback	
Video format	MP4 video format, convenient for sharing videos	
Playback	Track playback	
Mobile version	Android and iOS version	
Integration	Support CMSV6, Wialon, and SDK integration with third party platform	
PC Client		
Channels	2 channel or multi-channel video playback	
Playback	Track playback	
PC version	Windows	
Indicators		
GPS	Support	
REC	Support	
4G	Support	
WIFI	Support	
SOS	Support	
Speaker		
Clear sound quality	Support send broadcast text content remotely	
Prompt content	WIFI connected; WIFI disconnected; Start recording; Stop recording	
Cables		
2-CH basic version	3 PIN power cable; 3 PIN function cables(2xIO-IN,1xIO-OUT); RS232 optional as required	3 PIN power cable; 3 PIN function cables(2xIO-IN,1xIO-OUT); 4 PIN cameras cables; RS232 optional as required

ETE-MDVR8208HP

8 Channel Mobile Hybrid NVR



Features

High reliability and performance

4 channel AHD + 4 channel IPC
 Low power consumption
 Power off can work 8 seconds and 2~5 hours with UPS battery
 Industrial good vibration absorber and heat-dissipated level design
 Support max 2.5-inch 4TB/5TB HDD/SSD and 1 SD card dual storage
 Support G-sensor, Geo-fence, GPS, 3G/4G, WIFI (faster and more stable)

Easy to Install

Set all menus via WIFI
 Mirror function set on the MDVR menu directly
 Special interface for mobile DVR, convenient for transportation and installation

Abundant Functions and Features

Aluminum housing, low power consumption
 Support PTZ local and remote control, Support USB interface, support firebox as mirror
 Support 4-channel AHD + 4-channel IP Cameras
 Connect acceleration sensor, temperature sensor, oil/fuel sensor
 Control panel, LED panel, Counter camera, Oxygen sensor and other peripherals
 through RS232/RS485 interface

Specifications

ETE- MNVR8208HP	
Video	
Video Input	Supports 4 channels 1080P/720P IP camera Video input Supports 2-CH 1080P AHD + 2-CH 720P AHD mixing Video input Supports 2-CH 1080P AHD + 2-CH 960H analog mixing Video input Supports 2-CH 720P AHD + 2-CH 960H analog mixing Video input Supports 4-CH 1080P/720P IPC + 4-CH 720P AHD/960H/D1/CIF Video input
Video output	VGA(max. 1080P), CVBS (Analog); 1 each 3.5mm Jack on Front Panel and one
Video display	Single picture, 1~8 pictures
Signal system	PAL / NTSC
Bitrate	64kbps ~ 16384kbps
Image compression	H.264 Main profile
Audio	
Audio input	4 Channels
Audio output	2 Channels (Front Panel 3.5mm Jack, 1 in the 24pin connector)
Record format	Synchronized video & audio recording
Recording and Storage	
Image resolution	CIF / HD1 / D1 / 960H / 720P/1080P optional
Video coding	ISO14496-10
Video Bit-Rate	CIF: 1536Kbps ~ 128Kbps HD1/D1: 2048Kbps ~ 400Kbps 960H: 2048Kbps ~ 400Kbps 720P/1080P: 4096Kbps ~ 400Kbps 8 grades of image quality optional, Grade 1 as best and Grade 8 as lowest
Audio bit rate	40Kbps
Storage	Up to 4TB/5TB HDD/SSD and 1 SD card for backup (at 3G/4G/WIFI model option)
Alarm	
Alarm input	8 channels, alarm activated by low voltage (<1V) or high voltage (>5V)
Alarm output	1 channel, 12V output
System	
Language	English / Chinese / Hungary / others optional
Operation Interface	Graphical menu operation interface(OSD menu)
Password security	Permissions setting of administrator & user
Network	
3G	3G wireless transmission module, WCDMA, CDMA2000, TD-SCDMA system optional (optional), Compatible with GPRS, EDGE;
4G	Built-in 4G(TDD-LTE / FDD-LTE) module optional
Wi-Fi	Built-in Wi-Fi optional
Location Technology	Built-in GPS module. Real-time geographic coordinates, speed information
Interfaces	
G-Sensor	Built-in G-Sensor
RS485	1xRS485
RS232	2xRS232
RJ45 network	4 Ports of RJ45, For connection to an IP camera with maximum of 1080P
USB	2 Ports of USB 2.0, the front is used to export record file. The rear panel is optional.
Software	
PC playback	Video files playback in PC with analysis of the vehicle status
CMSV6	Wireless real-time video & audio monitoring, GPS, alarms, etc.
Software Upgrade	Upgrade through the front USB2.0 & hard disk
Environmental	
Operating Temperature	-40°C ~ 85°C
Electrical	
Voltage Input	8V ~ 36V (Ensure of safe voltage of vehicle before use; operation over 36V for long time will cause damage to the MDVR)
Voltage Output	12V(+/-0.2V), Max 3A
ACC Detection	≤4V (Power off) ≥8V (Power on)
Video Input Resistance	75Ω at each video input resistance
Video Output Voltage	2VP-P CVBS output analog signal, screen input requires resistance 75Ω
I / O port	<1V (low voltage alarm) >5V (high voltage alarm)
Mechanical	
Dimensions	192mm x 184 x 61mm

ETE-UPS

In-Vehicle UPS



Specifications

	ETE-UPS
UPS Parameters	
Working temperature	-20~75°C
Vibration resistance	MIL-STD-810F
Power performance	ISO 7637
Shock limit	≤2000G, (19,600M/S ²)@1MS
Waterproof rating	IP53
Machine power	0.01W
Cooling	Metal natural cooling
Input Characteristics	
Input voltage	8V~36V DC
Conversion efficiency	≥85%
Maximum input current	≤2.6A
Output Characteristics	
Output Current Range	0~1.4A
Output Voltage Range	8~9.7V
Noise	≤50dB
Protection Characteristics	
Discharge voltage	8V
Charging voltage	10.9V
Load current (batteries)	≥1A
Output over-current	≥6A

Features

Intelligent Functions

Waterproof and vandal proof.

High-end backup power which is designed for vehicle MNVR.

Supports 2 to 3 hours after power off for 4-ch cameras, 1-2 hours for 8-ch cameras.

The input section uses a lithium iron phosphate battery and special charge management IC.

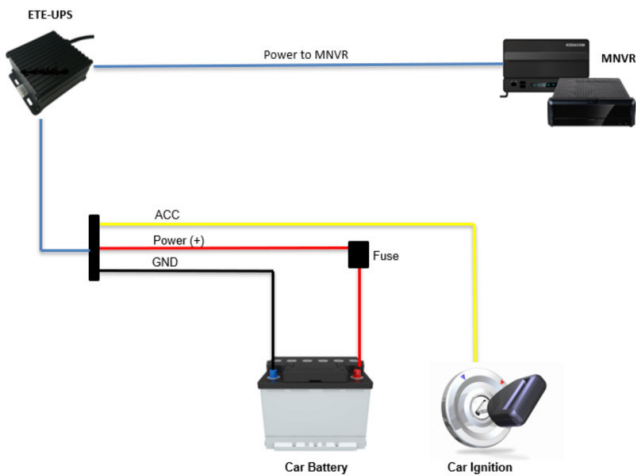
Uses high efficiency DC to DC buck-boost switching circuit.

It uses a battery cell protection control circuit in order to achieve accurate voltage overshoot, over-discharge voltage, current overload and short circuit protection.

Rated input voltage is 8 ~ 36V DC. When the supply voltage of vehicle MNVR is less than 9V or unexpected power failure the vehicle MNVR will automatically switch to UPS.

IC control technology and multiple protection circuit.

Connection Diagram



ETE-RT-Q88

Ruggedized In-vehicle Android Touch Screen Tablet



Features

High Level Protection
Ruggedized (IP67)

Various Video functions
Playback, Snapshot, Setup for KDM2410M-V21 and SVR2420

High Performance
Android 9.0
In-Vehicle 8-inch Touch Screen display
3G/4G/LTE, Wi-Fi, GPS, NFC, USB

Abundant Functions and Features
2MP Front camera, 8MP Rear camera
TF card slot (SDHC/SDXC), HDMI input

Portable and Light
220 x 143 x 14mm, 647g

Optional Accessories



Hand Strap



PU Leather Case



Handwriting Pen

Specifications

ETE-RT-Q88	
System	
CPU	Qualcomm MSM8953 (8core)
OS	Android 9.0
RAM	4GB LPDDR3
Display	
LCD	8inch 10-point Capacitive Touch screen (16:10 1280x800 IPS) Corning Gorilla Glass (700 Nits)
Camera	
Resolution	Front 2.0MP, Rear 8.0MP
Storage	
Flash	64GB
TF Storage	Support SDHC/SDXC
Battery	
Capacity	3.7V/7500mAH
Endurance	7 hours
Network	
4G	LTE FDD: B1/B3/B5/B7/B8/B20/B38/B39/B40/B41 LTE TDD: B38/B40/B41
3G	WCDMA: B1/B2/B5/B8
GSM(2G)	2/3/5/8
Wi-Fi	802.11 a/b/g/n/ac (Frequency 2.4G+5.8G Model No: 6625L)
Bluetooth	BT4.0 (BLE) class1 transmission distance:10m
NFC	Optional (Support ISO/IEC 14443A protocol Identification distance: 3-5cm)
GPS	GPS
Interface	
SIM Card	1pcs Micro SIM card
Audio and Voice	3.5mm standard earphone jack x 1
HDMI	HDMI 1.4a Type C x 1
USB	USB 3.0 x 1 OTG
Reliability	
Operating Temperature	-10 °C ~ 50 °C
Humidity	95% Non-Condensing
Store Temperature	-30 °C ~ 70 °C
IP Rating	IP67
Certifications	CE NB, MIL-STD-810G, UN38.3, MSDS, Aviation report, Sea transportation report, IEC62133, Optional (FCC, CCC, GMS, Rohs)
General	
Size/Weight	220 x 143 x 14mm/647g
Power	AC100V ~ 240V, 50Hz/60Hz output DC 5V/3A, Φ3.5mm DC jack x 1
Accessories	
Standard	Normal adapter, USB cable, Package

ETE-RT-i22k

Ruggedized In-vehicle 12inch Touch Screen Tablet



Features

High Level Protection

Ruggedized (IP65)

Various Video functions

Playback, Snapshot, Setup for KDM2410M-V21 and KDM2420

High Performance

Windows 10
In-Vehicle 12.2inch Touch Screen display
4G/3G/WiFi

Abundant Functions and Features

2MP Front camera, 5MP Rear camera
GPS, NFC, 2*USB 2.0, 1* USB 3.0
64GB/128GB/256GB/512GB
Support 1D / 2D, NFC, ID and other functional modules

Portable and Light 320*216*23.4mm, 1500g

Straps: Extensible belt on the back case, convenient to hold



Shoulder strap



Specifications

ETE-RT-i22k	
System	
CPU	Intel® Kabylake m3-6Y30/m3-7Y30
OS	Windows 10
RAM	4GB/8GB LPDDR3
Display	
LCD	12.2inch 1920*1200 IPS, 10points Capacitive Touch Screen, Corning Gorilla Glass
GPU	Intel® HD Graphics 515
Camera	
Resolution	Front 2.0MP, Rear 5.0MP
Storage	
SSD	64GB/128GB/256GB/512GB
Battery	
Capacity	6300mAh/7.4V, 1000mAh/7.4V, Built in dual polymer Li-ion battery
Endurance	6 hours
Network	
3G / 4G	LTE FDD: B1/B3/B5/B7/B8/B20 LTE TDD: B38/B40/B41 WCDMA: B1/B2/B5/B8
GSM(2G)	850/900/1800/1900MHz
Wi-Fi	2.4G+5G dual band WIFI, IEEE 802.11(a/b/g/n/ac)
Ethernet	RJ45 (10/100M) x 1
Bluetooth	BT4.2 (BLE) class1 transmission distance: 10m
Navigation	GPS, QZSS, Glonass
Interface	
SIM Card	1pcs Micro SIM card
Audio and Voice	3.5mm standard earphone jack x 1
HDMI	HDMI 1.4a x 1
USB	Micro USB x 1, USB 2.0 x 1, USB 3.0 x 1,
I/O	RS232 x 1, RS485, 12pins Pogo Pin x 1, TF Card x 1
Size/Weight	320 x 216 x 23.4mm/ 1500g
Power	AC100V ~ 240V, 50Hz/60Hz output DC 12V/4A, Φ3.5mm DC jack x 1
Reliability	
Operating Temperature	-10 °C ~ 50 °C
Humidity	95% Non-Condensing
Store Temperature	-30 °C ~ 70 °C
IP Rating	IP65
Optional Modules	
NFC	Support ISO/IEC 14443A/14443B/15693/18092/mifare protocol, Card reading distance: 4cm
1D	MOTO SE655E100R Optical Position: 5mil, Scan speed: 50/s
2D	Honeywell N3680, Optical Position: 5mil Scan speed: 50/s
Accessories	
Standard	Adapter, USB cable, Bracket, Package

ETE-RT-i22k

Ruggedized in-vehicle 12inch Touch Screen Tablet



Car Holder

Material: Aluminum alloy, Aluminum alloy Tube Size: 138mm, Aluminum alloy Tube weight: 3kgs
Material: Aluminum alloy; Aluminum alloy Tube Size: 170mm, Aluminum alloy Tube weight: 3kgs



Keyboard

Material: keyboard ABS+PC Leather, Bracket: Stainless steel +TPU;
Keyboard: 23.5cm(W)*37cm(L), Bracket: 11.5cm(W)*18.4cm(L); Weight:604g



ETE-RT-i16HH

Ruggedized In-vehicle Touch Screen Tablet



Features

High Level Protection
Ruggedized (IP65)

Various Video functions
Playback, Snapshot, Setup for KDM2410M-V21 and SVR2420

High Performance
Windows 10
In-Vehicle 10.1inch Touch Screen display
4G/3G/WiFi

Abundant Functions and Features
2MP Front camera, 5MP Rear camera
GPS, NFC, 2*USB 2.0, 1* USB 3.0
64GB/128GB/256GB/512GB

Portable and Light
280 x 187 x 22mm, 1014g

Optional Accessories



Docking Station



Removable Battery

PU Leather Case

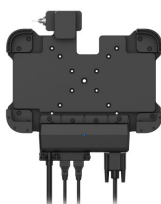
Handwriting Pen



Bandage



Back Strap



Vehicle Mount

Specifications

ETE-RT-i16HH	
System	
CPU	Intel Cherry Trail Z8350
OS	Windows 10
RAM	4GB LPDDR3
Display	
LCD	10.1inch 800*1280 IPS 16:10, 10points Capacitive Touch Screen, Corning Gorilla Glass (700 Nits)
GPU	Intel® HD Graphics 515
Camera	
Resolution	Front 2.0MP, Rear 5.0MP
Storage	
SSD	64GB/128GB
Battery	
Capacity	3.7V/10000mAh Removable Li-ion battery
Endurance	8 hours
Network	
3G / 4G	LTE FDD: B1/B3/B5/B7/B8/B20/B28A LTE TDD: B38/B40/B41 WCDMA: B1/B2/B5/B8
GSM(2G)	850/900/1800/1900MHz
Wi-Fi	WiFi 802.11(ac/b/g/n), (2.4G+5.8G dual frequency WIFI, Intel 3165D2WG)
Ethernet	RJ45 (10/100M self-adaption)
Bluetooth	BT4.2 (BLE) class1 transmission distance: 10m
Navigation	GPS, QZSS, GLONASS
Interface	
SIM Card	1pcs Micro SIM card
Audio and Voice	3.5mm standard earphone jack x 1
HDMI	HDMI 1.4a Type C x 1
USB	USB 2.0 x 1, Micro USB x 1
I/O	RS232 x 1, RS485, 12pins Pogo Pin x 1, TF Card x 1
Reliability	
Operating Temperature	-10 °C ~ 50 °C
Humidity	95% Non-Condensing
Store Temperature	-30 °C ~ 70 °C
IP Rating	IP65
General	
Size/Weight	280 x 187 x 22mm/1014g
Power	AC100V ~ 240V, 50Hz/60Hz output DC 5V/3A, Φ3.5mm DC jack x 1
Optional Modules	
NFC	Support ISO/IEC 14443A/14443B/15693/18092/mifare protocol, Card reading distance: 4cm
1D	MOTO SE655E100R, Support Buzzer Optical Position: 5mil, Scan speed: 50/s
2D	Honeywell N3680 (EM-I16H) Zebra SE2707 (EM-T16) Optical Position: 5mil Scan speed: 50/s
Fingerprint	FPC1020 (sensor, Compression type of capacitance)
Accessories	
Standard	Adapter, USB cable, Bracket, Package

ETE-RT-i86HH

Ruggedized In-vehicle Touch Screen Tablet



Features

High Level Protection
Ruggedized (IP67)

Various Video functions
Playback, Snapshot, Setup for KDM2410M-V21 and SVR2420

High Performance
Windows 10
In-Vehicle 8inch Touch Screen display
4G/3G/WiFi

Abundant Functions and Features
2MP Front camera, 5MP Rear camera
GPS, NFC, USB 2.0 x 1, Micro USB x 1
64GB/128GB

Portable and Light
228 x 145 x 16.5mm, 750g

Optional Accessories



Docking Station



Hand Strap

PU Leather Case

Handwriting Pen

Bandage

Back Strap

Vehicle Mount

Specifications

ETE-RT-i86HH	
System	
CPU	Intel Cherry Trail Z8350
OS	Windows 10
RAM	4GB LPDDR3
Display	
LCD	8inch 800*1280 IPS 16:10, 5points Capacitive Touch Screen, Corning Gorilla Glass (700 Nits)
GPU	Intel® HD Graphics 515
Camera	
Resolution	Front 2.0MP, Rear 5.0MP
Storage	
SSD	64GB/128GB
Battery	
Capacity	3.7V/8500mAh Removable Li-ion battery
Endurance	8 hours
Network	
3G / 4G	LTE FDD: B1/B3/B5/B7/B8/B20/B28A LTE TDD: B38/B40/B41 WCDMA: B1/B2/B5/B8
GSM(2G)	850/900/1800/1900MHz
Wi-Fi	2.4G+5G dual band WIFI, IEEE 802.11(a/b/g/n/ac)
Ethernet	RJ45 (10/100M)
Bluetooth	BT4.2 (BLE) class1 transmission distance: 10m
Navigation	GPS, QZSS, GLONASS
Interface	
SIM Card	1pcs Micro SIM card
Audio and Voice	3.5mm standard earphone jack x 1
HDMI	HDMI 1.4a Type C x 1
USB	USB 2.0 x 1, Micro USB x 1
I/O	RS232 x 1, RS485, 12pins Pogo Pin x 1, TF Card x 1
Reliability	
Operating Temperature	-10 °C ~ 50 °C
Humidity	95% Non-Condensing
Store Temperature	-30 °C ~ 70 °C
IP Rating	IP67
General	
Size/Weight	228 x 145 x 16.5mm/ 750g
Power	AC100V ~ 240V, 50Hz/60Hz output DC 5V/3A, Φ3.5mm DC jack x 1
Optional Modules	
NFC	Support ISO/IEC 14443A protocol Card reading distance: 3-5cm
1D	MOTO SE655E100R, Support Buzzer Optical Position: 5mil, Scan speed: 50/s
2D	MOTO SE4710 Optical Position: 5mil Scan speed: 50/s
Fingerprint	FPC1020 (sensor, Compression type of capacitance)
Accessories	
Standard	Adapter, USB cable, Package

ETE-RT-i16k

Ruggedized In-vehicle Windows Touch Screen Tablet



Features

High Level Protection
Ruggedized(IP65)

Various Video functions
Playback, Snapshot, Setup for KDM2410M-V21 and SVR2420

High Performance
Windows 10
In-Vehicle 10.1inch Touch Screen display
4G/3G/WiFi

Abundant Functions and Features
2MP Front camera, 8MP Rear camera
GPS, USB 2.0 x 1, USB 3.0 x 1
128GB/256GB

Portable and Light
280 x 187 x 22mm, 1014g

Optional Accessories



Docking Station



Removable Battery



PU Leather Case



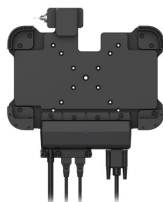
Handwriting Pen



Bandage



Back Strap



Vehicle Mount

Specifications

ETE-RT-i16k	
System	
CPU	Intel® Core™ m3-7Y30/m3-6Y30
OS	Windows 10
RAM	4GB/8GB LPDDR3
Display	
LCD	10.1inch IPS 16:10,1200*1920, 10points Capacitive Touch Screen, Corning Gorilla Glass
Camera	
Resolution	Front 2.0MP, Rear 8.0MP
Storage	
SSD	128GB/256GB
Battery	
Capacity	7.4V/5000mAh Removable Li-ion battery
Endurance	6 hours
Network	
3G / 4G	LTE FDD: B1/B3/B5/B7/B8/B20/B28A LTE TDD: B38/B40/B41 WCDMA: B1/B2/B5/B8
GSM(2G)	850/900/1800/1900MHz
Wi-Fi	2.4G+5G dual band WIFI, IEEE 802.11(a/b/g/n/ac)
Ethernet	RJ45 (10/100M self-adaption)
Bluetooth	BT4.1 (BLE) class1 transmission distance: 10m
Navigation	GPS, QZSS, GLONASS
Interface	
SIM Card	1pcs Micro SIM card
Audio and Voice	3.5mm standard earphone jack x 1
HDMI	HDMI 1.4a Type C x 1
USB	USB 2.0 x 1, USB 3.0 x 1
I/O	RS232 x 1, RS485, 12pins Pogo Pin x 1, TF Card x 1
Reliability	
Operating Temperature	-10°C ~ 50°C
Humidity	95% Non-Condensing
Store Temperature	-30°C ~ 70°C
IP Rating	IP65
General	
Size/Weight	280 x 187 x 22mm/ 1014g
Power	AC100V ~ 240V, 50Hz/60Hz output DC 12V/4A, Φ3.5mm DC jack x 1
Optional Modules	
1D	MOTO SE655E100R, Support Buzzer Optical Position: 5mil, Scan speed: 50/s
2D	Honeywell N3680 Optical Position: 5mil Scan speed: 50/s
Fingerprint	Optional
Accessories	
Standard	Adapter, USB cable, Package

ETE-RT-X11

Ruggedized In-vehicle 2 in 1 Windows Touch Screen Tablet



Features

High Level Protection
Ruggedized (IP65)

Various Video functions
Playback, Snapshot, Setup for KDM2410M-V21 and SVR2420

High Performance
Windows 10
In-Vehicle 11.6inch Touch Screen display
4G/3G/WiFi

Abundant Functions and Features
2MP Front camera, 8MP Rear camera
GPS, USB 2.0 x 1, USB 3.0 x 1
128GB/256GB/512GB

Portable and Light
305 x 205 x 18mm, 3140g

Optional Accessories



Removable Keyboard



PU Leather Case



Handwriting Pen



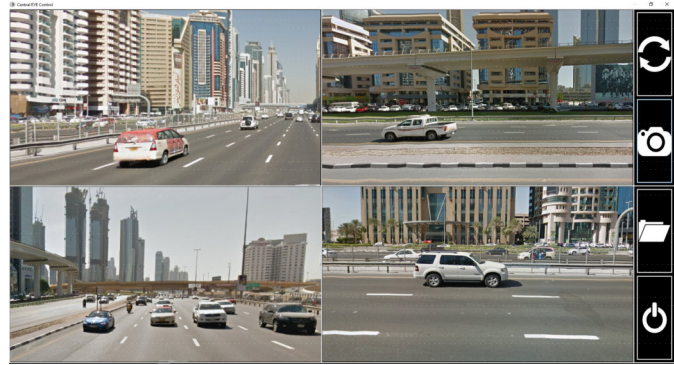
Removable Battery

Specifications

ETE-RT-X11	
System	
CPU	Intel® Skylake Core™ m3-7Y30/m3-6Y30
OS	Windows 10
RAM	4GB/8GB LPDDR3
Display	
LCD	11.6inch FHD 16:9, 1920*1080, 10points Capacitive Touch Screen, Corning Gorilla Glass
Camera	
Resolution	Front 2.0MP, Rear 8.0MP
Storage	
SSD	128GB/256GB/512GB
Battery	
Capacity	7.4V/5000mAh Removable Li-ion battery
Endurance	6 hours
Network	
3G / 4G	LTE FDD: B1/B3/B5/B7/B8/B20/B28A LTE TDD: B38/B40/B41 WCDMA: B1/B2/B5/B8
GSM(2G)	850/900/1800/1900MHz
Wi-Fi	2.4G+5G dual band WIFI, IEEE 802.11(a/b/g/n/ac)
Ethernet	RJ45
Bluetooth	BT4.2 (BLE) class1 transmission distance: 10m
Navigation	GPS, QZSS, GLONASS, Beidou
Interface	
SIM Card	1pcs Micro SIM card
Audio and Voice	3.5mm standard earphone jack x 1
HDMI	HDMI C x 1
USB	USB 2.0 x 1, USB 3.0 x 1
I/O	DB (RS232 x 1, RS485) x 2, 12pins Pogo Pin x 1, TF Card x 1, GPS_SMA x1
Reliability	
Operating Temperature	-10 °C ~ 50 °C
Humidity	95% Non-Condensing
Store Temperature	-30 °C ~ 70 °C
IP Rating	IP65
General	
Size/Weight	305 x 205 x 18mm / 3140g
Power	AC100V ~ 240V, 50Hz/60Hz output DC 12V/4A, DC 12V 4A x 1
Optional Modules	
2D	Honeywell N3680 Optical Position: 5mil Scan speed: 50/s
Fingerprint	070-Hello sensor FPC1020 sensor Fingerprint acquisition area: 10mm x10mm Resolution: 192x192pixel / 508DPI
Accessories	
Standard	Adapter, USB cable, Package

CEC Camera Viewer

Central EYE Control In vehicle Camera Viewer



Features

Real-time Streaming

CEC Camera Viewer, views and control cameras connected to the In-Vehicle NVR

Communication

Any ONVIF device connected to the same network or have a NAT with the device network can be viewed.

Ease of Use

After preparing the XML database file, user only need to open the application and the camera will stream automatically

Specifications

CEC Camera Viewer	Windows	Android
Capacity		
Max. Number of Simultaneous streams	Up to4 (6 Optional)	
Basic Functions		
Camera streaming	Streaming from the camera directly to the software	
PTZ Control	Easy User Interface to control PTZ Camera with some useful functions	
Ease of use	After configuring the database, the application will stream the cameras when its open	
Network Protocols		
TCP/IP, RTSP	The protocol is used to connect to the ONVIF Camera	
Ports	554 for RTSP stream 80 for ONVIF	
System Requirements (Hardware)		
CPU	Min. Intel i5-5500U	Quad Core processor
RAM	Min. 4GB	Min. 2GB
Storage	Min. 200MB	
System Requirements (Software)		
Supported Operating System	Windows 7 and above, Android	
Database	Stored inside main device as XML	

CEC 3rd Party Plugin

Central EYE Control VMS Plugin



Features

Real-time Streaming

CEC Plugin uses streams from Kedacom server to view them outside of the main VMS Client

Communication

Any device connected to Kedacom Server (3G/4G or WIFI) can be viewed by CEC Plugin.

Ease of Use

After preparing the XML database file, user only needs the device ID name, and everything is done in the background to stream the camera

Specifications

CEC 3 rd Party Plugin	
Capacity	
Max Number of Simultaneous streams	Up to 64
Basic Functions	
Camera streaming	Streaming from Kedacom server directly to the 3 rd party plugin
PTZ Control	Easy User Interface to control PTZ Camera with some useful functions
Log Data	Data saved in XML log file
Ease of use	All functions done in the background and the main application will only need to call the plugin
Network Protocols	
TCP/IP	The protocol is used to connect to Kedacom server
Ports	5510 TCP and UDP 12000 TCP and UDP 80 TCP
System Requirements (Hardware)	
CPU	Min. Intel i5-5500U
RAM	Min. 4GB
Storage	Min. 100MB
System Requirements (Software)	
Supported Operating System	Windows 7 and up
Database	Stored inside main device as XML



Dear Clients,

Thank you for taking the time to browse our Product Catalogue.

We have incorporated herein our comprehensive product range to suit versatile moving surveillance solutions.

We are especially excited to develop our advanced Recognitive Tracking System which has been the world's first of its type.

Before we do anything, we start with our clients in mind and this enables us to develop solutions which create tangible benefits and deliver excellent return on investment.

We are intrinsically R&D oriented in spirit and for this reason we invest a large part of our annual revenue to develop innovative products and solutions.

We take to heart the adage that excellence is a journey and cordially invite you to join us through a progressive future.

Warmest welcome,

Eye To Eye Security

The information in this document is subject to change without prior notice. Every effort has been made in the preparation of this document to ensure accuracy of the contents, but that does not guarantee a complete omission of errors and as such any errors present as a result are purely accidental. Further any and all statement/s, information and recommendations in this document do not constitute a warranty of any kind whether expressed or implied. Eye To Eye Security, its staff and partners and associates are not in any way responsible for printing or clerical errors.

SCAN OR CLICK TO DOWNLOAD POC VIDEOS



FIXED IP 2MP, DAY TIME



FIXED IP 1MP, DAY TIME



FIXED IP 2MP, NIGHT BW



FIXED IP 2MP STARLIGHT



PTZ STARLIGHT, NIGHT
TIME



Eye To Eye Security Trading DWC-LLC

BUILDING A5, OFFICE 140, BUSINESS CENTRE,

DUBAI WORLD CENTRAL, UAE, P.O BOX 712821

www.eyetoeyesecurity.com